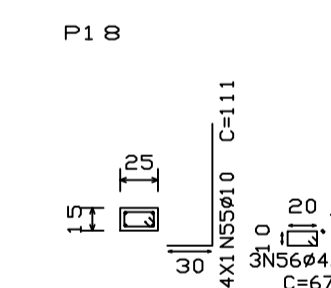
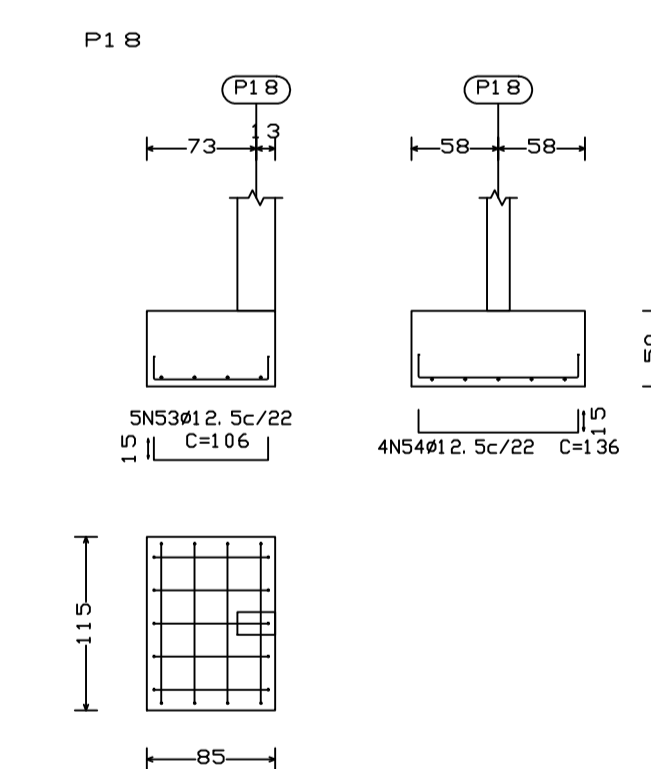
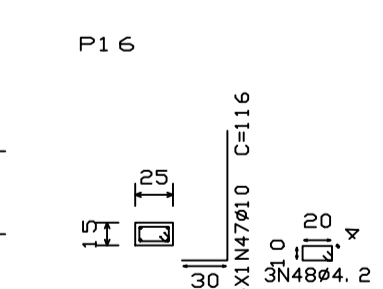
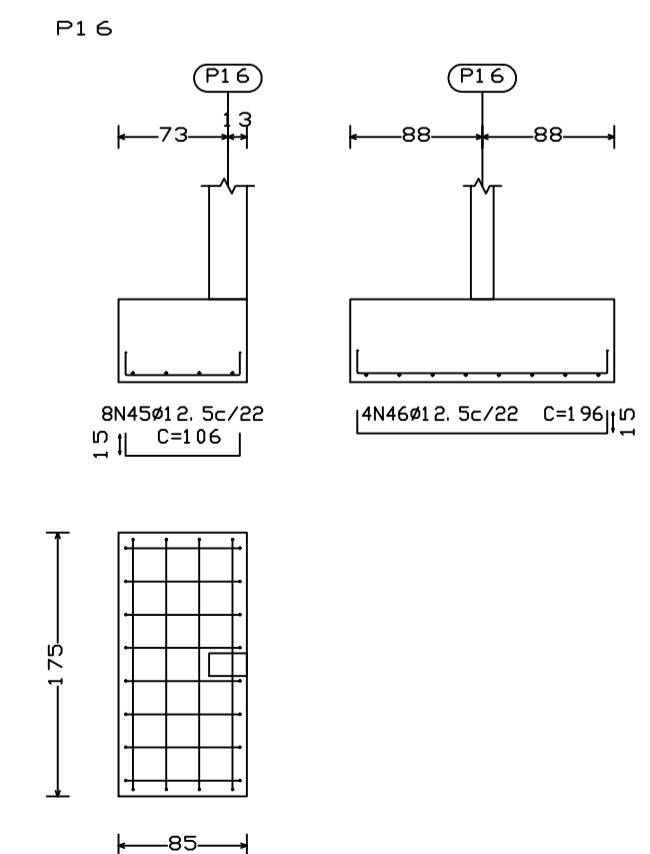
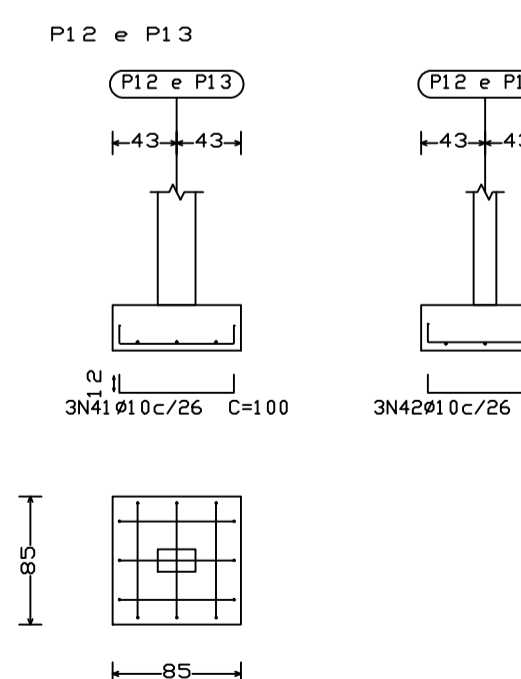
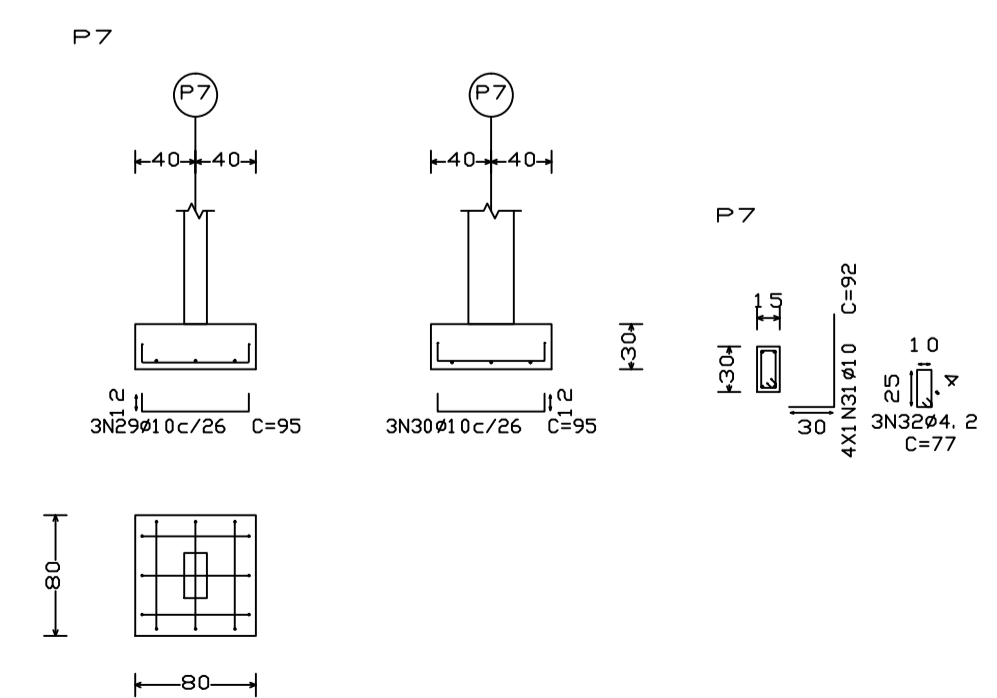
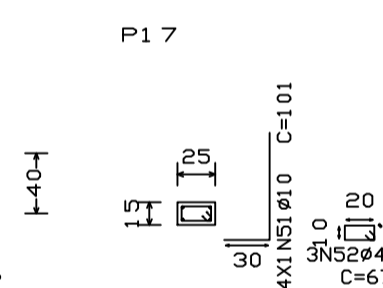
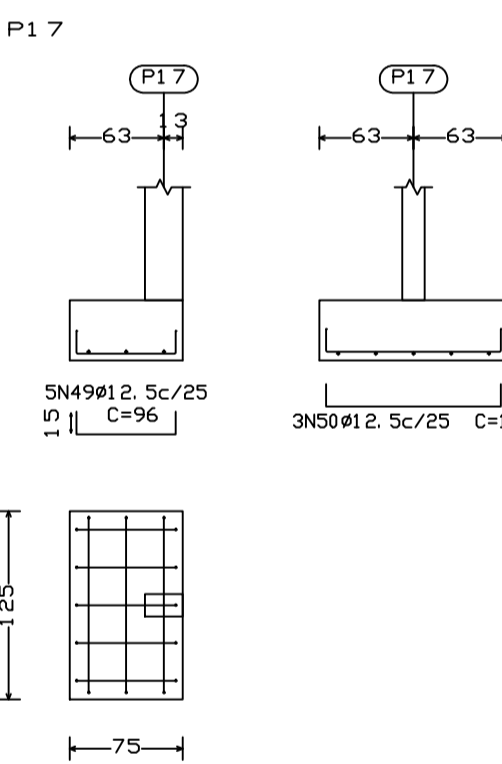
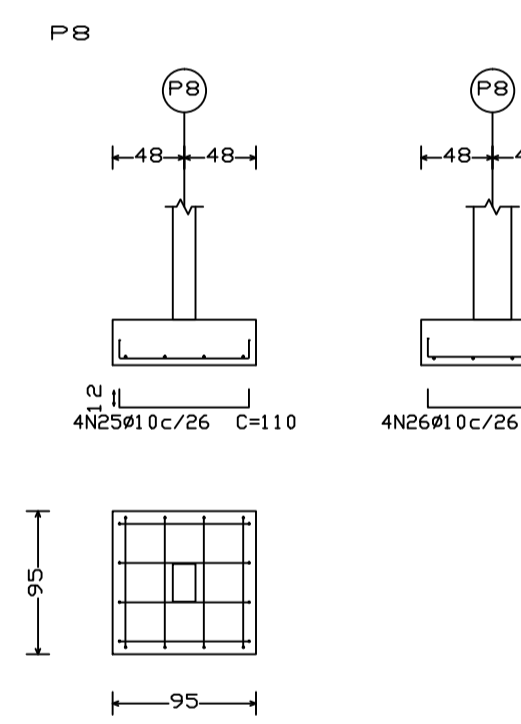
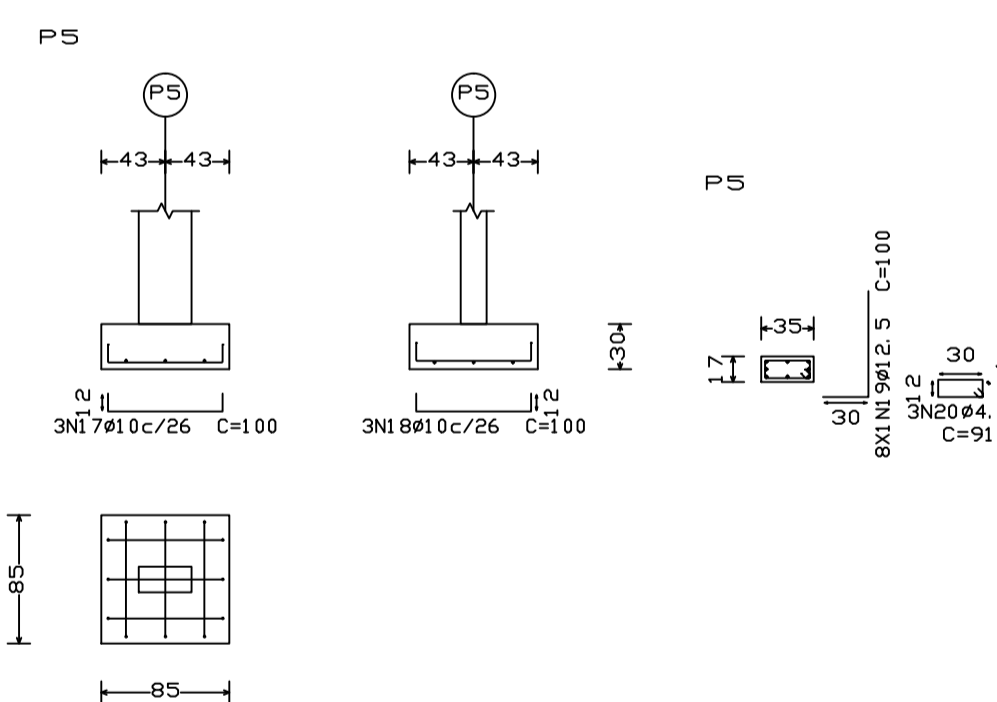
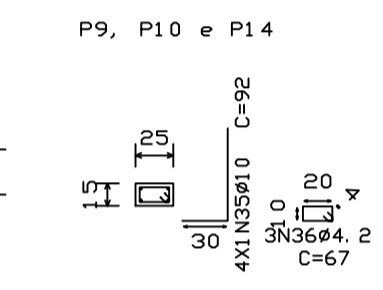
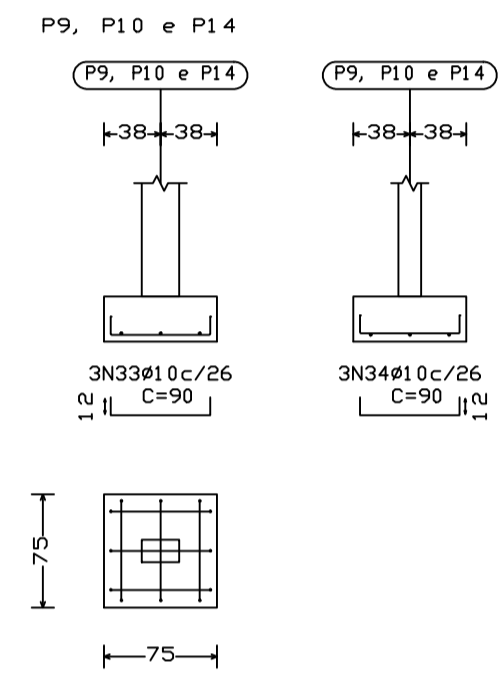
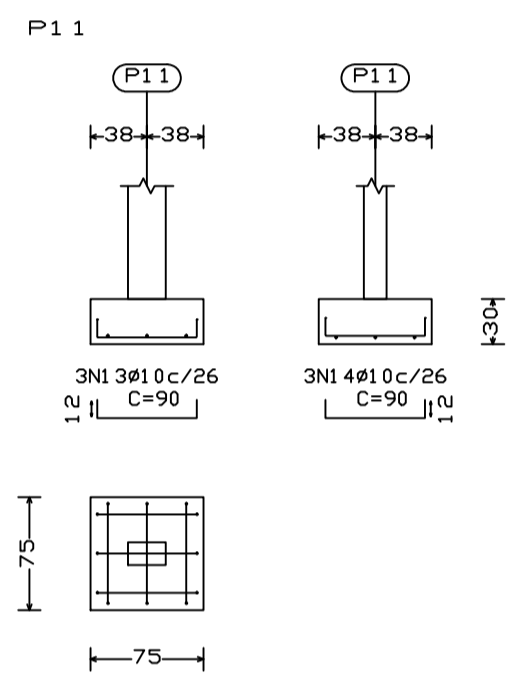
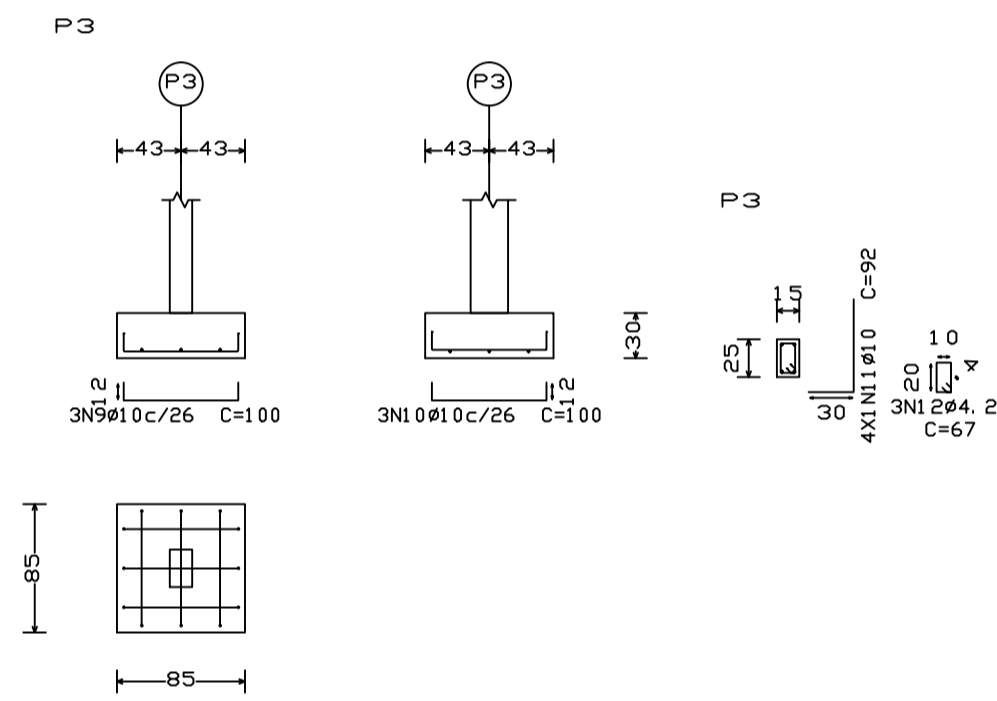


Resumo Aço Fundação	Comp. total (m)	Peso+10% (kg)	Total
CA-50-A	168.5	116	172
CA-60-B	52.2	56	55
Total			177



Elemento	Pos.	Di.	an.	Q.	Dob (cm)	Refo (cm)	Dolo (cm)	Comp (cm)	Total (cm)	CA-50-A (kg)	CA-60-B (kg)
P1	1	Ø10	4	15	91	15	121	484	3.0		
	2	Ø10	4	15	91	15	121	484	3.0		
	3	Ø10	4	30	62		92	368	2.3		
	4	Ø4.2	3				67	201		0.2	
Total+10%										9.1	0.2
P2	5	Ø10	3	12	66	12	90	270	1.7		
	6	Ø10	3	12	66	12	90	270	1.7		
	7	Ø10	6	30	62		92	552	3.5		
	8	Ø4.2	3				67	201		0.2	
Total+10%										7.6	0.2
P3	9	Ø10	3	12	76	12	100	300	1.9		
	10	Ø10	3	12	76	12	100	300	1.9		
	11	Ø10	4	30	62		92	368	2.3		
	12	Ø4.2	3				67	201		0.2	
Total+10%										6.7	0.2
P11	13	Ø10	3	12	66	12	90	270	1.7		
	14	Ø10	3	12	66	12	90	270	1.7		
	15	Ø10	4	30	62		92	368	2.3		
	16	Ø4.2	3				67	201		0.2	
Total+10%										6.3	0.2
P5	17	Ø10	3	12	76	12	100	300	1.9		
	18	Ø10	3	12	76	12	100	300	1.9		
	19	Ø2.5	8	30	70		91	800	7.9		0.3
	20	Ø4.2	3				91	273		0.3	
Total+10%										12.9	0.3
P4	21	Ø10	4	12	91	12	115	460	2.9		
	22	Ø10	4	12	91	12	115	460	2.9		
	23	Ø2.5	8	30	70		100	800	7.9		0.3
	24	Ø4.2	3				91	273		0.3	
Total+10%										15.1	0.3
P8	25	Ø10	4	12	86	12	110	440	2.8		
	26	Ø10	4	12	86	12	110	440	2.8		
	27	Ø10	4	30	62		92	368	2.3		
	28	Ø4.2	3				67	201		0.2	
Total+10%										8.7	0.2
P7	29	Ø10	3	12	71	12	95	285	1.8		
	30	Ø10	3	12	71	12	95	285	1.8		
	31	Ø10	4	30	62		92	368	2.3		
	32	Ø4.2	3				77	231		0.3	
Total+10%										6.5	0.3
P9=P10=P14	33	Ø10	3	12	66	12	90	270	1.7		
	34	Ø10	3	12	66	12	90	270	1.7		
	35	Ø10	4	30	62		92	368	2.3		
	36	Ø4.2	3				67	201		0.2	
Total+10% (x3)										18.9	0.6
P6=P15	37	Ø10	4	22	90	22	134	536	3.4		
	38	Ø10	4	21	90	21	132	528	3.3		
	39	Ø10	4	30	62		92	368	2.3		
	40	Ø4.2	3				67	201		0.2	
Total+10% (x2)										9.9	0.2
Total+10% (x2)										19.8	0.4
P12=P13	41	Ø10	3	12	76	12	100	300	1.9		
	42	Ø10	3	12	76	12	100	300	1.9		
	43	Ø10	4	30	62		92	368	2.3		
	44	Ø4.2	3				67	201		0.2	
Total+10%										6.7	0.2
Total+10% (x2)										13.4	0.4
P16	45	Ø2.5	8	15	76	15	106	848	8.3		
	46	Ø2.5	4	15	166	15	196	784	7.7		
	47	Ø10	4	30	86		116	464	2.9		
	48	Ø4.2	3				67	201		0.2	
Total+10%										20.8	0.2
P17	49	Ø2.5	5	15	66	15	96	480	4.7		
	50	Ø2.5	3	15	116	15	146	438	4.3		
	51	Ø10	4	30	71		101	404	2.5		
	52	Ø4.2	3				67	201		0.2	
Total+10%										12.7	0.2
P18	53	Ø2.5	5	15	76	15	106	530	5.2		
	54	Ø2.5	4	15	106	15	136	544	5.3		
	55	Ø10	4	30	81		111	444	2.8		
	56	Ø4.2	3				67	201		0.2	
Total+10%										14.6	0.2
Total+10%										173.1	3.9

Projeto:	AMPLIAÇÃO DA SECRETARIA DE MEIO AMBIENTE	Data:	28/06/2023
Local:	RUA MARINHO CAETANO LEAL		
Nome:			
Planta:		PROJETO ESTRUTURAL	
Autor:	ALLAN FELIPE DA SILVA PEREIRA	Des. no.:	01 / 06